

MDM121 ■ Desk Mount with gas spring 14"-22"



Features

- 1 **GAS SPRING**
- 2 **ADJUSTABLE POSITION**
vertical and horizontal with 360° rotation
- 3 **SOLID BUILD**
3 mm thick powder-coated metal sheet



Technical Data



14"-22"



90°/90°



min. 75x75 mm
max. 100x100 mm



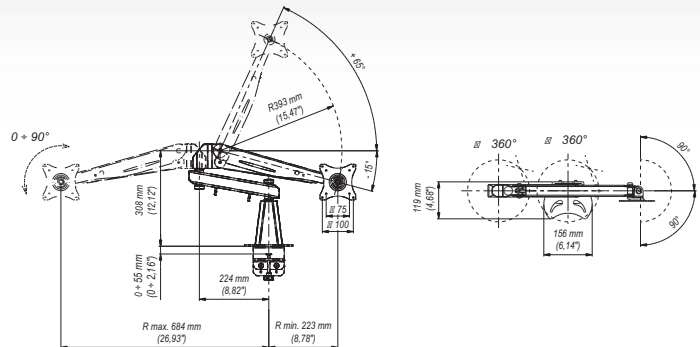
10 Kg



90°/90°



360°



Accessories

Series GDA



Trade Information

Index	Colour	Package	EAN
MDM121c-B	■	■	5908252964017
MDM121s-B	■	■	5908252964024

Package Dimensions [mm] (H x W x D)	650x520x130
Weight [Kg]	6